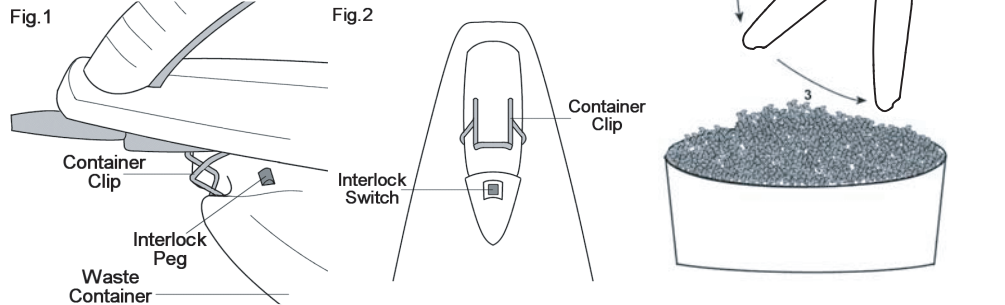




5. EMPTYING CONTAINER

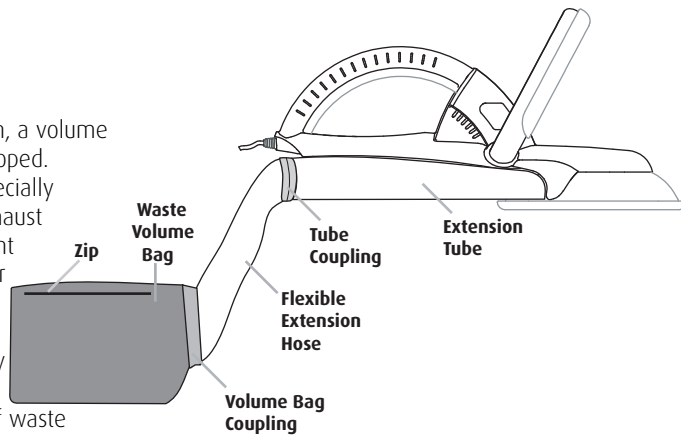
For speed of operation, simply hold the Garden Groom Midi by the front handle, unclip and withdraw the container from the main body and deposit the waste material into an appropriate receptacle. To re-engage, push the front of the container over the exhaust, raise the rear of the container, ensuring alignment with clip, push clip forward with palm of hand to lock. Note: the interlock peg MUST be connected to the interlock switch for the machine to function.



6. VOLUME BAG ATTACHMENT

For larger areas of hedge growth, a volume bag attachment has been developed. This optional accessory has a specially refined container fixed to an exhaust hose and volume bag attachment and is fitted in the same manner as the standard container.

Tip: It is necessary to periodically shake the debris down the hose to ensure smooth conveyance of waste material into the volume bag. When full, detach/unzip from hose and empty into chosen receptacle.



Location of rating plate and switches

